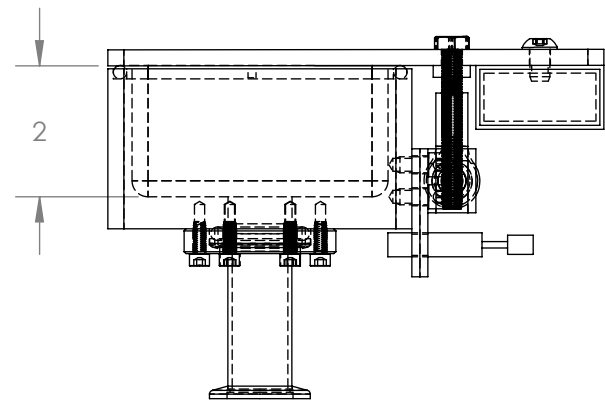
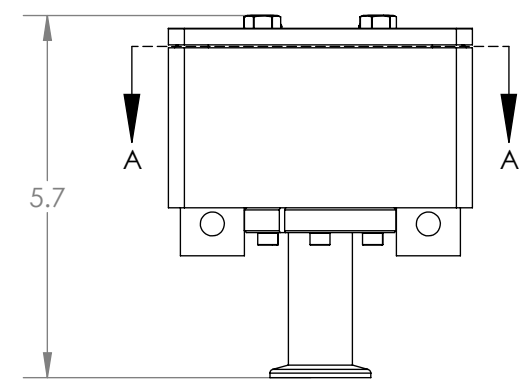
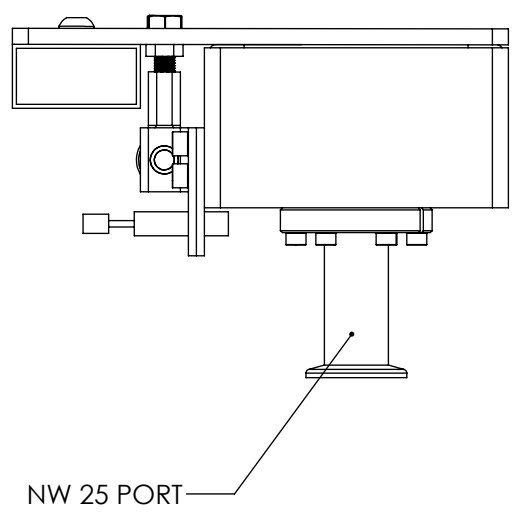
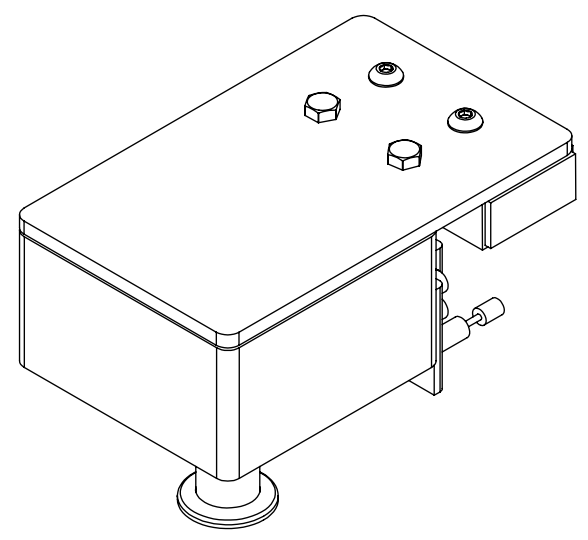
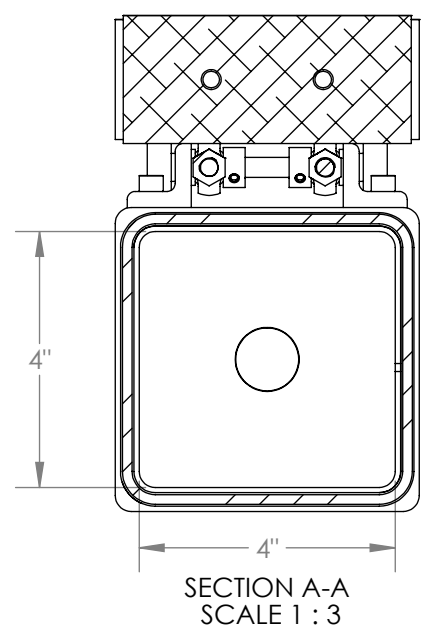
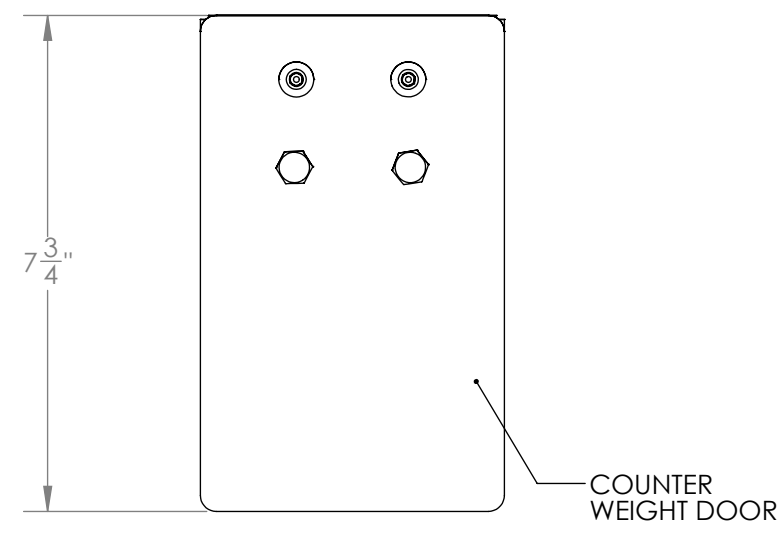


REV.	LCO No.	DESCRIPTION	DATE	APPROVED
A	---	INITIAL RELEASE	-----	---

D
C
B
A

D
C
B
A



UNLESS OTHERWISE SPECIFIED:
 DIMENSIONS ARE IN INCHES.
 TOLERANCES:
 FRACTIONAL: ±1/16"
 ANGULAR: MACH ±1° / BEND ±2°
 TWO PLACE DECIMAL: ±.01
 THREE PLACE DECIMAL: ±.005
 GEOMETRIC TOLERANCING PER
 ASME Y14.5M - 2009

PROPRIETARY AND CONFIDENTIAL
 THE INFORMATION CONTAINED IN THIS
 DRAWING IS THE SOLE PROPERTY OF LACO
 TECHNOLOGIES, INC. ANY
 REPRODUCTION IN PART OR AS A WHOLE
 WITHOUT THE WRITTEN PERMISSION OF
 LACO TECHNOLOGIES, INC., IS PROHIBITED.

MARKETING DRAWING		
DRAWN BY	NAME	DATE
DVM	DVM	3/14/13
APPROVED BY	NAME	DATE
RMS	RMS	3/14/13
DWG. NO.	REV	
100472-C	A	
SCALE: 1:4	SIZE: B	SHEET 1 OF 1

8 7 6 5 4 3 2 1

8 7 6 5 4 3 2 1